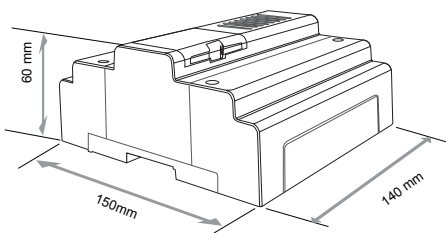


DT-TPC User Manual

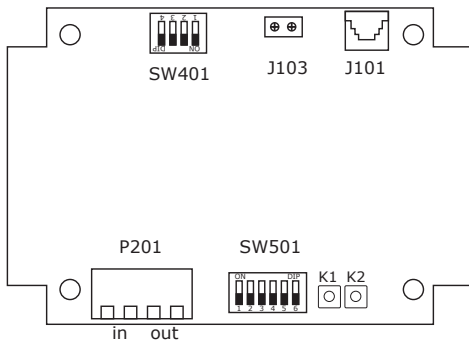
TPC - Telephone Controller

The TPC unit is designed for DT 2 wire system to divert the calling from out door station to telephone or mobile phone, it is very useful when nobody is at home or you are busy doing something or you are far away from the monitor. one monitor responds one TPC unit, you can communicate with outdoor station with your telephone or mobile phone. It just like a remote control, you can do the operation of unlock, talking and so on.

- Divert Calling, there are three modes: 1. Don't divert calls 2. Divert if nobody answer 3. Divert simultaneously
- 3 telephone number is available, and user can set the number flexibly
- The telephone number is set on monitor and saved in TPC
- During conversation, input 8001# on your telephone or mobile phone can open the first lock, 8002# open the second lock.



1. Terminal description



- P201: Bus terminal
- SW501: the code must set the same as the monitor
- K1, K2: reserve
- J101: connect to the telephone network
- J103: connect to the telephone network (note that the J101 and J103 terminal are the same, you should choose one of them to connect to the telephone network)
- SW401: use to set the configuration, refer to the followings:

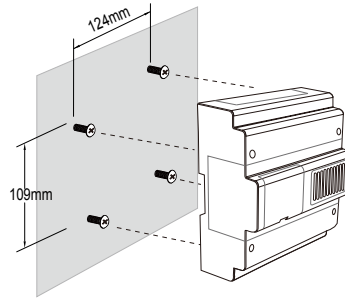
DIP	Setting	Description
Bit1 (adjust the volume for the telephone line)		the volume is twice louder than normal
		the volume is normal
Bit2 (adjust the volume for outdoor station)		the volume is twice louder than normal
		the volume is normal
Bit3 (adjust the configuration for audio)		match up the telephone network to DT system
		not match
Bit4 (adjust the configuration for audio)		match up switch to DT system
		not match

Note: 1. Bit1 and bit2 can not be "on" state at the same time.

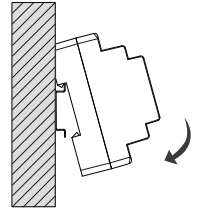
2. Bit3 and bit4 can not be "on" state at the same time.

2. Mounting

Direct Wall Mounting

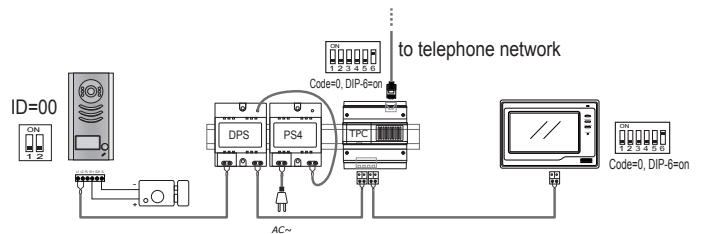


DIN Rail Mounting

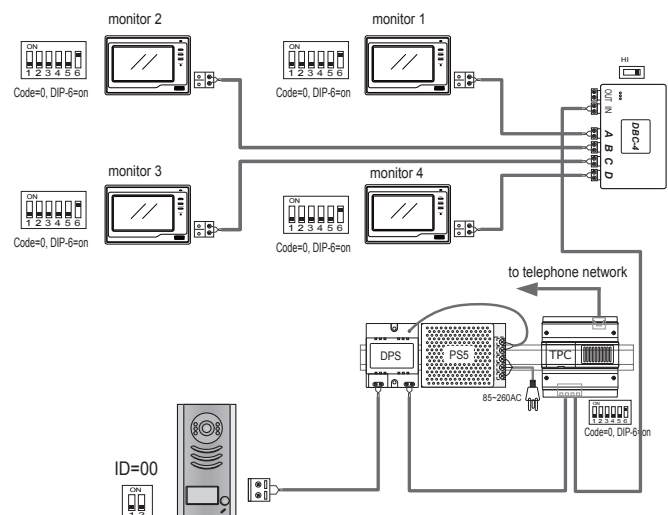


3. Wiring

Basic in-out mode (for villa)

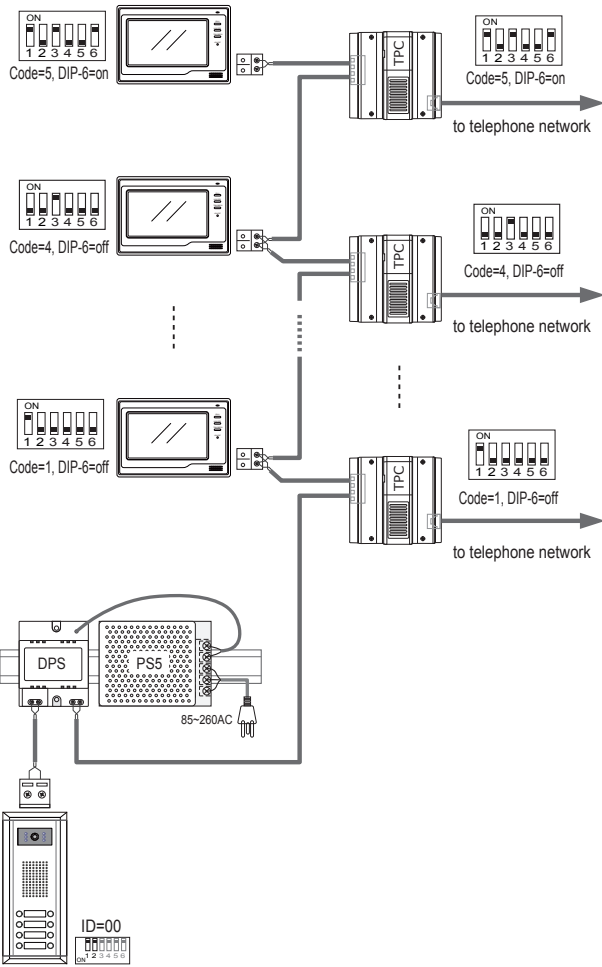


Star wiring mode (for villa)

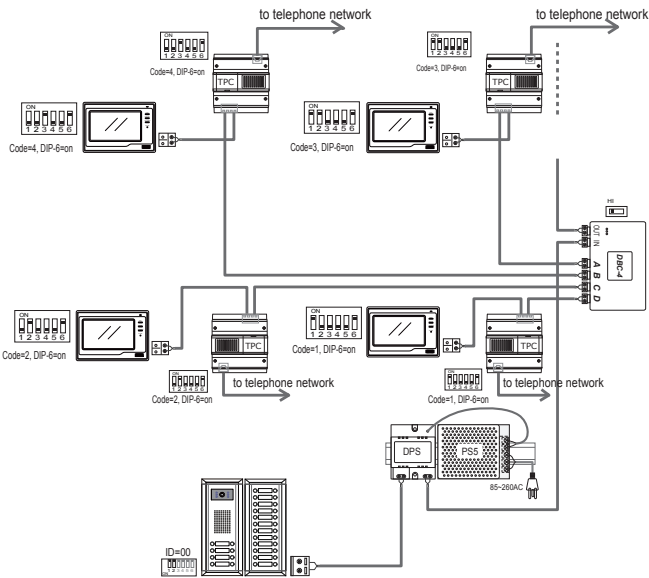


Note: Monitor 2/3/4 must set the slave address correctly.

Basic in-out mode(for apartment)



Basic star wiring mode(for apartment)



4.Specification

Power input:	DC 20~28Vdc (supplied by PS5)
Power Consumption:	0.5W in standby, 3 W in working
Working temperature:	-10°C +40°C
Wiring:	2 wire, non-polarity
Dimension:	140(L)X150(D)X60(H)mm