

Product Information

DT Accessories Desktop Bracket



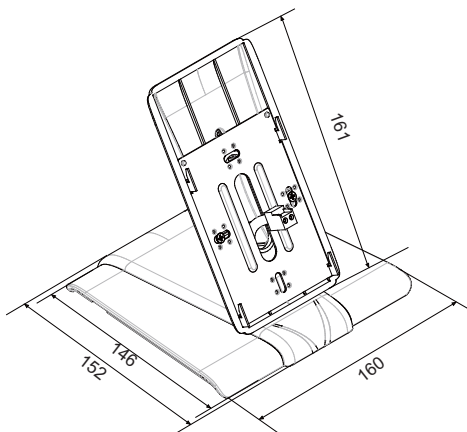
DESCRIPTION

Desktop bracket

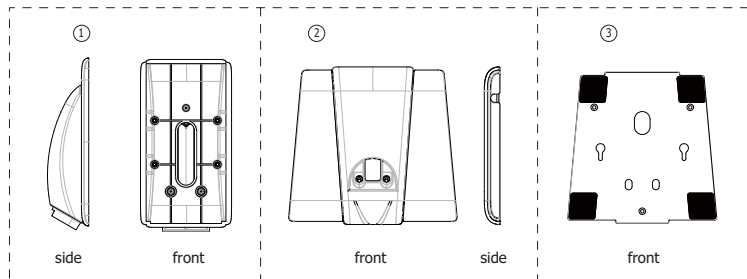
FEATURES

- ▶ Allows desk mounting for monitor;
- ▶ Monitor is propped up for easier viewing

DIMENSION



1. Parts and Functions

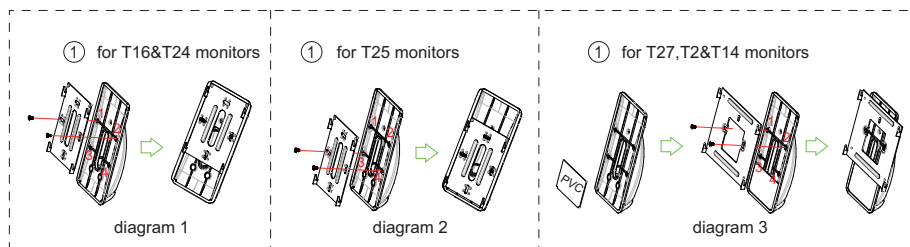


The Monitor Desk Stand consists of 3 parts which are listed above :

1. Plastic bracket: it is used to support the monitor
2. Plastic base: it is used to hold the plastic bracket
3. Metal base: it adheres to the bottom of Plastic base and works to stabilize the whole Desk Stand

2. Unit Mounting

Step 1

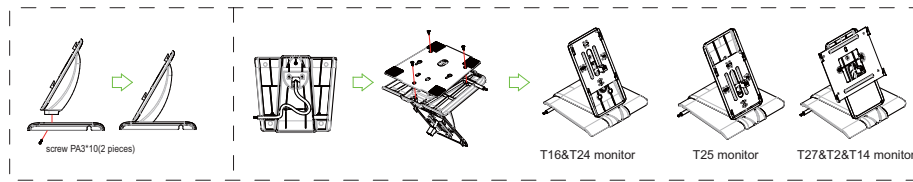


Note: T16&T24 series monitors refer to diagram 1, T25 series monitors refer to diagram 2, T27, T2&T14 monitors refer to diagram 3.

Diagram 1: Use 2 pieces of KM3*6 screws to fix the mounting bracket to the hole 1 & hole 2 which are on the top of the plastic bracket.

Diagram 2: Use 2 pieces of KM3*6 screws to fix the mounting bracket to the hole 3 & hole 4 which are on the bottom of the plastic bracket.

Diagram 3: First, put the PVC plate to the plastic bracket, then use 2 pieces of KM3*6 screws to fix the mounting bracket to the hole 1 & hole 2 which are on the top of the plastic bracket.



Step2:use self-tapping screw PA3*10 to fix the plastic bracket.

Step3:put the connection cable correctly(refer to the diagram of the above), then use self-tapping screw KA3*8 to fix the metal base.

3. Ordering Information

Model No.	Brief Description	Remark
DB1-B	Desktop bracket in black color	For desktop mounting
DB1-W	Desktop bracket in white color	For desktop mounting

4. Packing Information



Dimensions: 165(H) X168(W) X60(D) mm
Gross Weight: 0.56Kg



Carton: 530(H) X340(W) X258(D) mm
Quantity: 22PCS