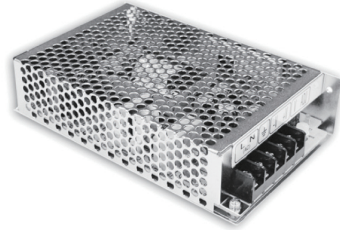


Accessories

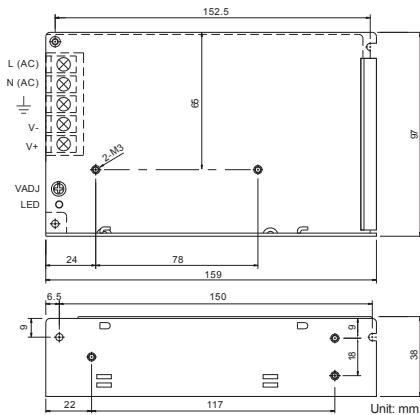
PS5 - Power Supply

The PS5 power supply unit is designed for DT system to supply up to 32 Monitors and total 4 Door Stations at the same time.

- Universal AC input/full range.
- Multi protection: short circuit, overload, over voltage
- Cooling by free air convection
- DIN rail mounting.
- Support up to 32 Monitors
- Support up to 4 Door Stations.



Dimension and Terminal



- **L(AC):** AC input.
- **N(AC):** AC input.
- \perp : Earth Ground.
- **V-:** DC power output.(21.5~26.5 adjustable)
- **V+:** DC power output.(21.5~26.5 adjustable)
- **VADJ:** Output voltage adjustment.
- **LED:** Working state indicator.

Electronic Specifications

Input Voltage:	85~260Vac, 120~370Vdc
Input Frequency:	47~63 Hz
Leakage Current:	>2mA / 240Vac
AC current (TYP.)	1.5A /150Vac, 0.9A / 230Vac
Output VADJ range:	21.5~26.5 Vdc adjustable
Rated Voltage:	24Vdc
Rated Current:	3.2A
Rated Power:	76.8W